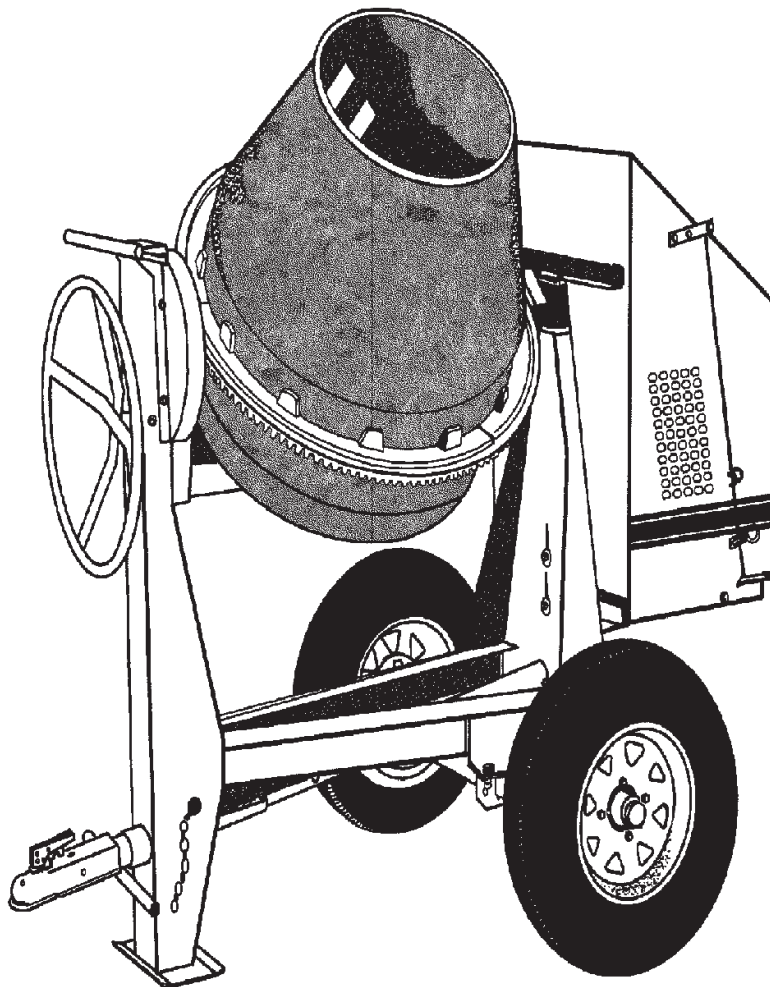


REPAIR PARTS MANUAL

SERIES C6-P
BULLETIN No 200140R7
SUPERSEDES 200140R6
DATE May 2005

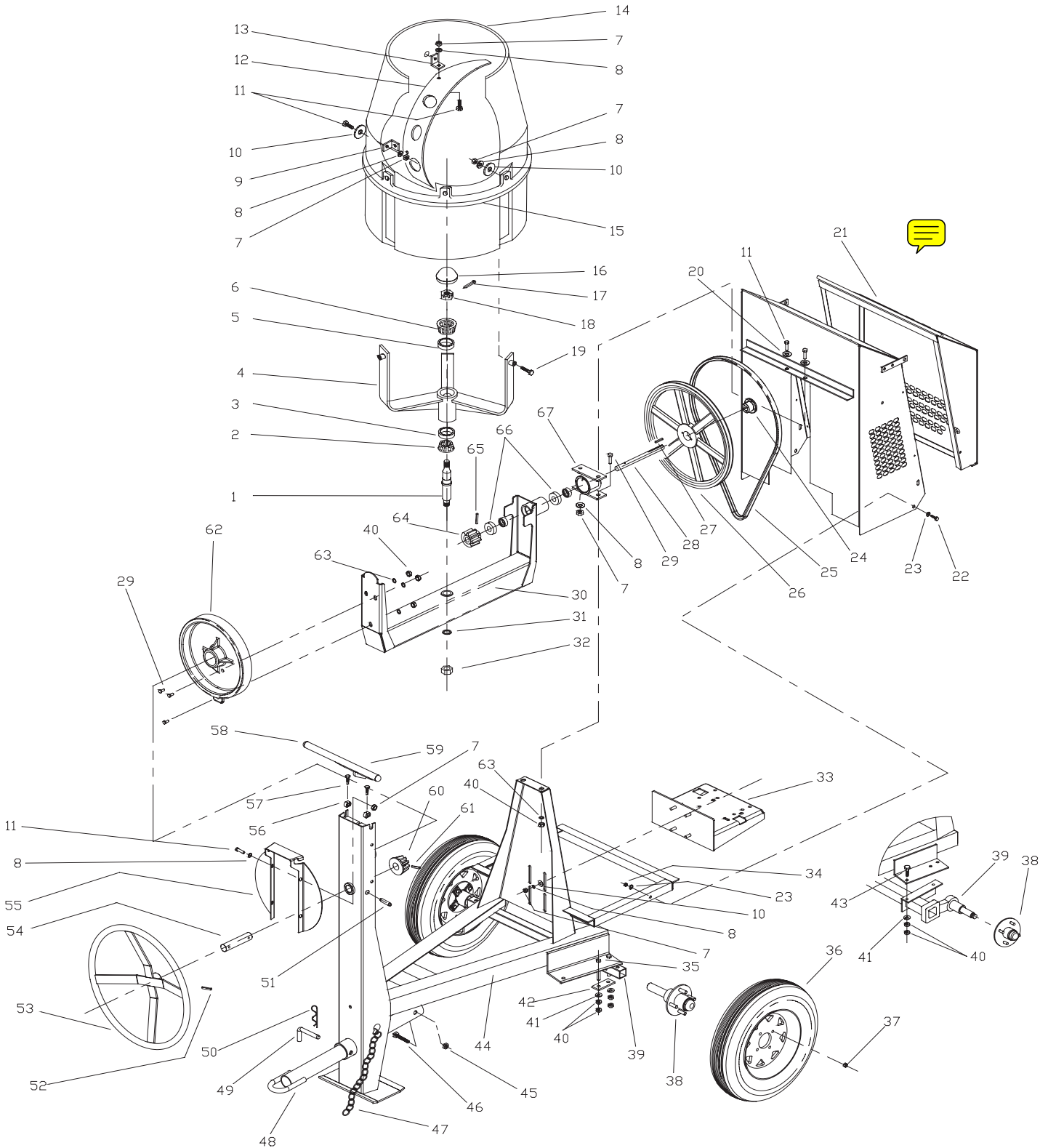
C6-P CONCRETE MIXERS



CROWN
CONSTRUCTION EQUIPMENT

Printed
in
CANADA

C6-P CONCRETE MIXERS

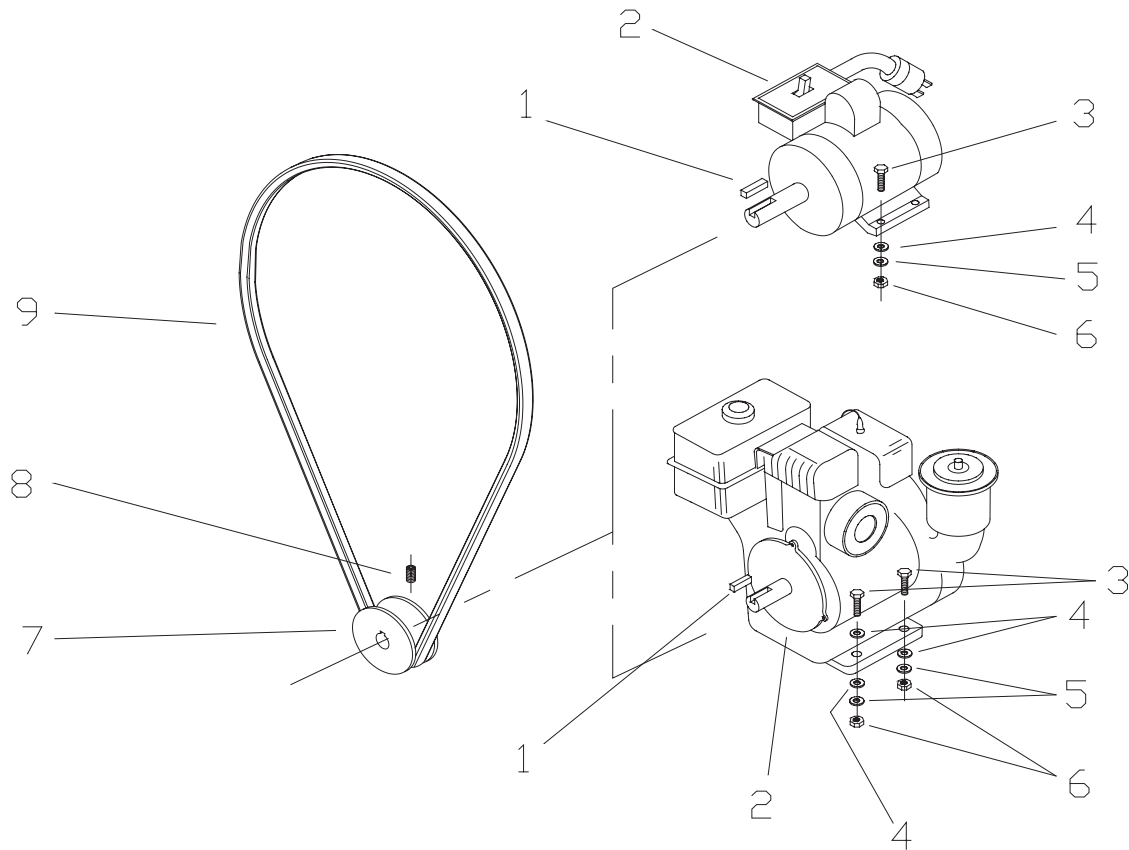


C6-P CONCRETE MIXERS

Ref	Part	Description	Qty
1	411901	Shaft, Bowl	1
2	112200	Bearing Cone,	1
3	112400	Bearing Cup	1
4	496835	Drum Support Hub	1
5	112350	Bearing Cup	1
6	112150	Bearing Cone,	1
7	227830	Nut, 3/8	23
8	176230	Washer, Spring 3/8	25
9	412010	Bracket, Paddle, Bottom	3
10	248275	Washer, Fender 7/16	13
11	226210	Bolt, 3/8 x 1	18
12	412082	Paddle	3
13	412000	Bracket, Paddle, Top	3
14	201449	Drum	1
15	411810	Gear Ring	1
16	201750	Hub Cap	1
17	135990	Cotter Pin	1
18	227900	Nut, 3/4 UNF, Sl.	1
19	226270	Bolt, HexHd, 3/8 x 2-1/2	3
20	174986	Washer, 3/8	2
21	496700	Hood Assy	1
22	225960	Bolt, 5/16 x 3/4	2
23	174990	Washer, 5/16	4
24	176822	Pulley Bushing, Q.D. 7/8"	1
25	239657	V - Belt 5L-730	1
26	459970	Pulley, BK190H	1
27	431000	Key, 3/16 x 2-1/2	1
28	411891	Drive Shaft	1
29	226640	Bolt, 1/2 x 1-1/4	5
30	496810	Yoke	1
31	176290	Washer, Spring 1 Nom	1
32	227920	Nut, 1-14 UNF	1
33	496720	Power Base	1
34	227821	Nut, 5/16 Nylon Lock	2
35	120910	Bolt, 1/2 x 3-1/2	4

Ref	Part	Description	Qty
36	431066	Wheel & Tire Assy	2
37	201696	Lug Nut, 1/2-20 UNF	8
38	201731	Hub End	2
39	431083	Axle Assy, 4 Bolt - Standard	1
39	431090	Torsion Axle Assy - Optional	opt
40	227854	Nut, 1/2	13
41	174470	Washer, 1/2	4
42	496817	Axle Clamp	2
43	226650	Bolt, 1/2 x 1-1/2	4
44	496820	Frame Weldment	1
45	227814	Nut, 3/8, Nylon Lock	1
46	226272	Bolt, 3/8 x 3	1
47	609686	Safety Chain	1
48	496617	Draw Bar, Pintle Hitch	1
48	496618	Draw Bar, 2" Ball Hitch	opt
49	496088	Lock Pin	1
50	134955	Clip, Hitch Pin	1
51	110690	Grease Fitting, 1/8 x 1-3/4	1
52	135216	Pin, Spring Slotted 5/16 x 2	1
53	496779	Handwheel	1
54	412551	Shaft, Tilting	1
55	496778	Guard, Tilt Gear	1
56	136000	Gripper Clip, 5/16"	2
57	162830	Screw, 8-18 x 3/4"	2
58	247032	Dome Plug	2
59	135215	Lever	1
60	412420	Pinion, Tilting	1
61	496775	Pin, Spr. Sl. 5/16 x 1-3/4	1
62	496760	Gear, Tilting	1
63	176250	Washer, Spring 1/2	5
64	411830	Pinion	1
65	135185	Pin, Spr. Sl. 1/4 x 1-1/2	1
66	110280	Bearing, E/L 176205-014	2
67	496767	Swivel Bracket	1
68	607953	Decal Package	1

DRIVE KIT OPTIONS



Ref	Part	Description	5 Hp	9 Hp	Electric
1	432340	Key, 1/4 x 1-5/8		1	N/R
	432050	Key, 3/16 x 1-5/8	1		
2	202003	Engine, 9 Hp Honda		1	
	201920	Engine, 8 Hp B&S		1	
	202004	Engine, 5.5 Hp Honda	1		
	201912	Engine 5 Hp B&S	1		
	464959	Electric Motor. 1 Hp & Switch Assy			1
	464958	Electric Motor. 1.5 Hp & Switch Assy			1
	464957	Electric Motor. 2 Hp & Switch Assy			1
3	225980	Bolt, 5/16 x 1			4
	119810	Bolt, 5/16 x 1-3/4	4		
	226240	Bolt, 3/8 x 1-3/4		4	
4	174986	Washer, 3/8		6	
	174990	Washer, 5/16	6		4
5	176220	Washer, Spring 5/16	4		4
	176230	Washer, Spring 3/8		4	
6	227820	Nut, 5/16	4		4
	227830	Nut, 3/8		4	
7	411871	Pulley, BK 24x3/4	1		
	239190	Pulley, BK 28x5/8		1	1.5 Hp
	239365	Pulley, BK 30x7/8			1 & 2 Hp
8	148300	Set Screw, 5/16 x 3/8	1	1	1
9	239657	V - Belt, 5L - 730	1	1	1



P.O. BOX 234, STATION L
WINNIPEG, MANITOBA
CANADA R3H 0Z5

PHONE (800) 661-0304
PHONE: (204) 885-5800
FAX (204) 885-7557

WORLD WIDE WEB
www.crownequip.com